

Figure 38 Genome Analyzer Imaging Compartment

Cleaning and Installing the Prism

The prism sits under the flow cell and serves a critical optical function.

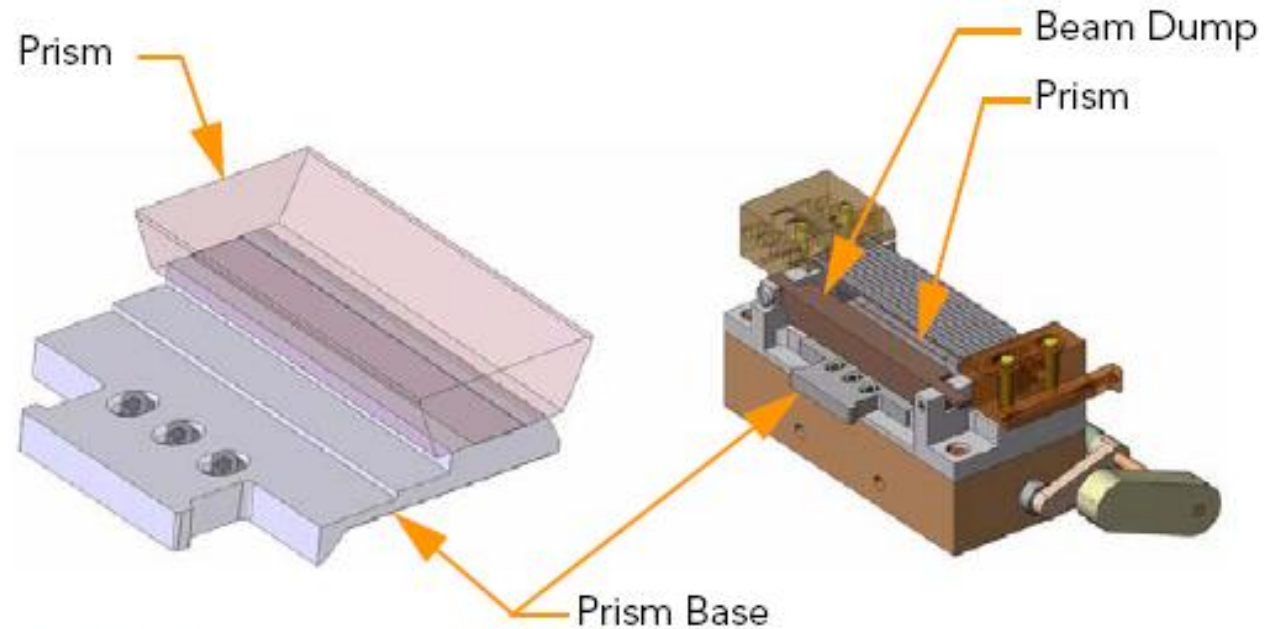


Figure 51 Prism

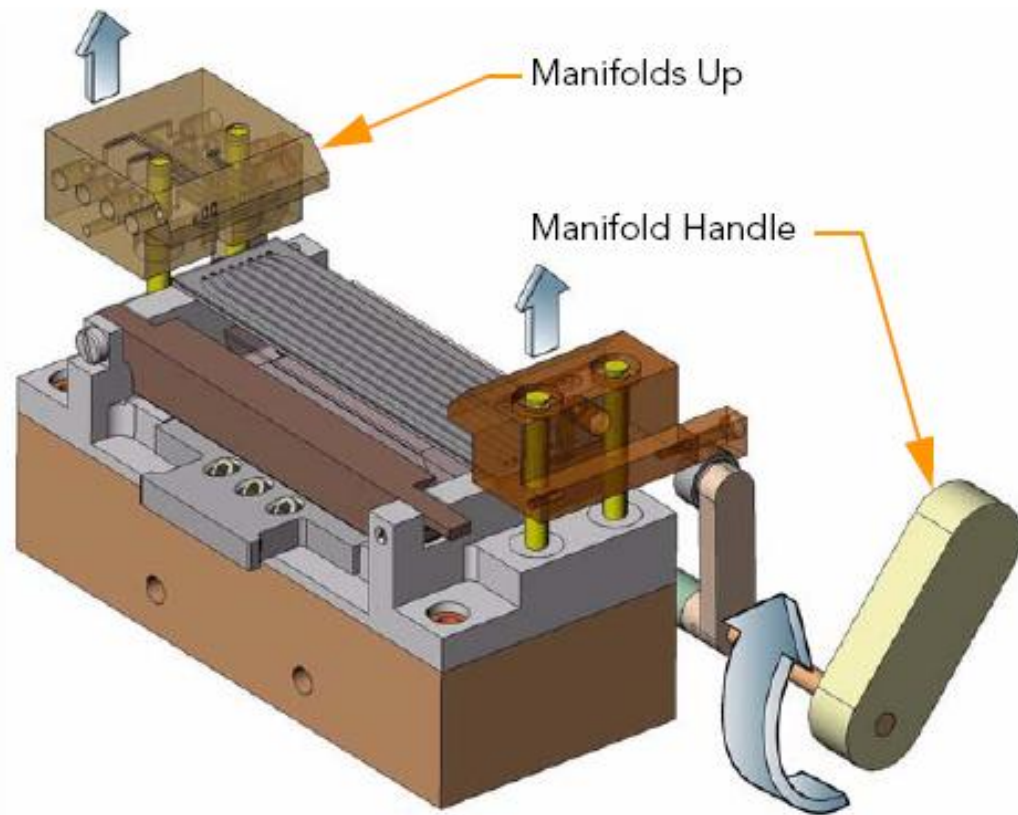


Figure 52 *Lifting Front and Rear Manifolds*

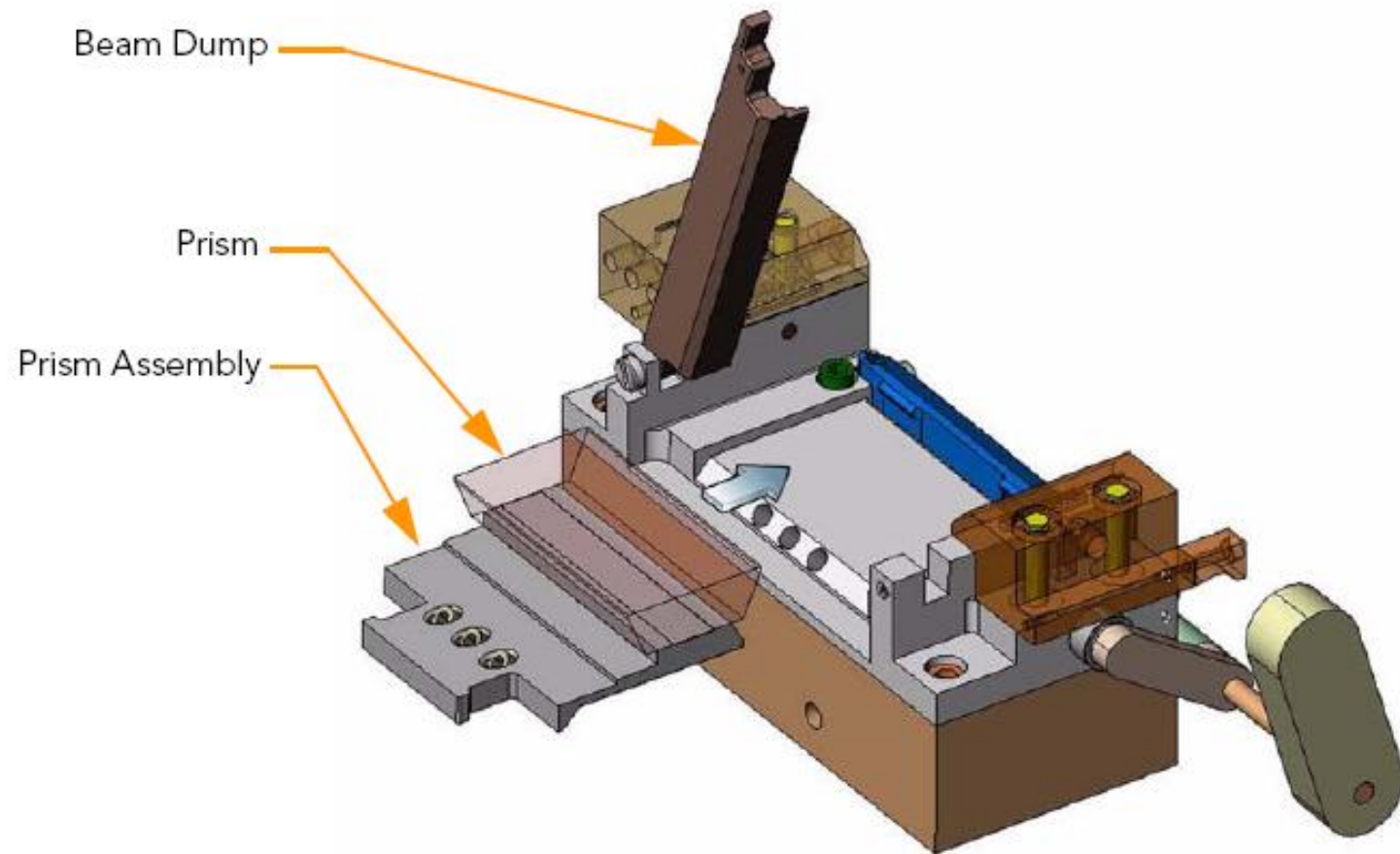
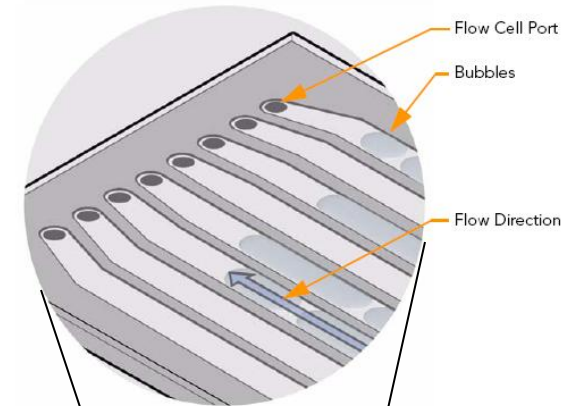


Figure 53 Loading the Prism



The flow cell is located above the prism and rests on the manifold mounting rails.

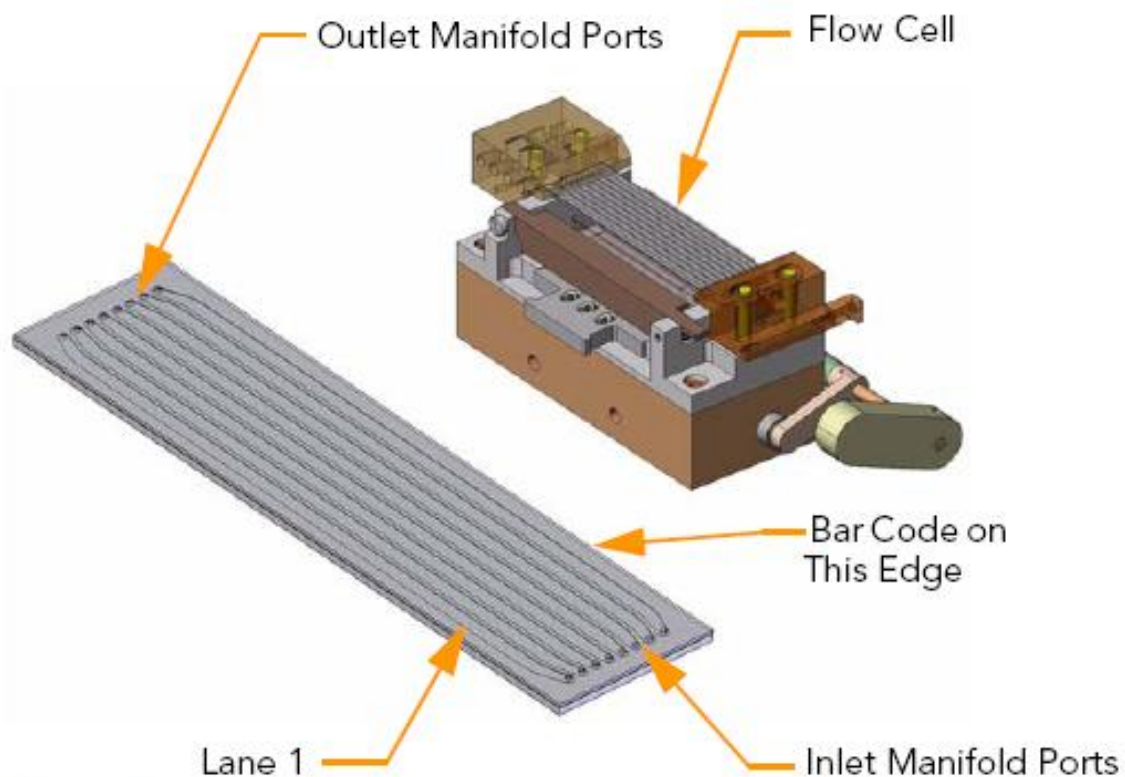
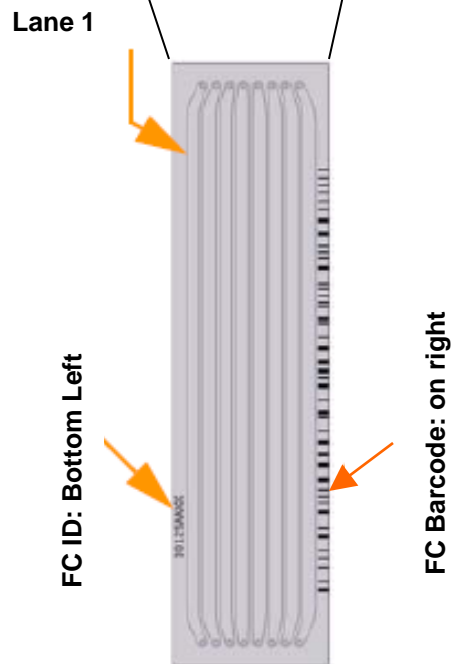


Figure 54 Flow Cell

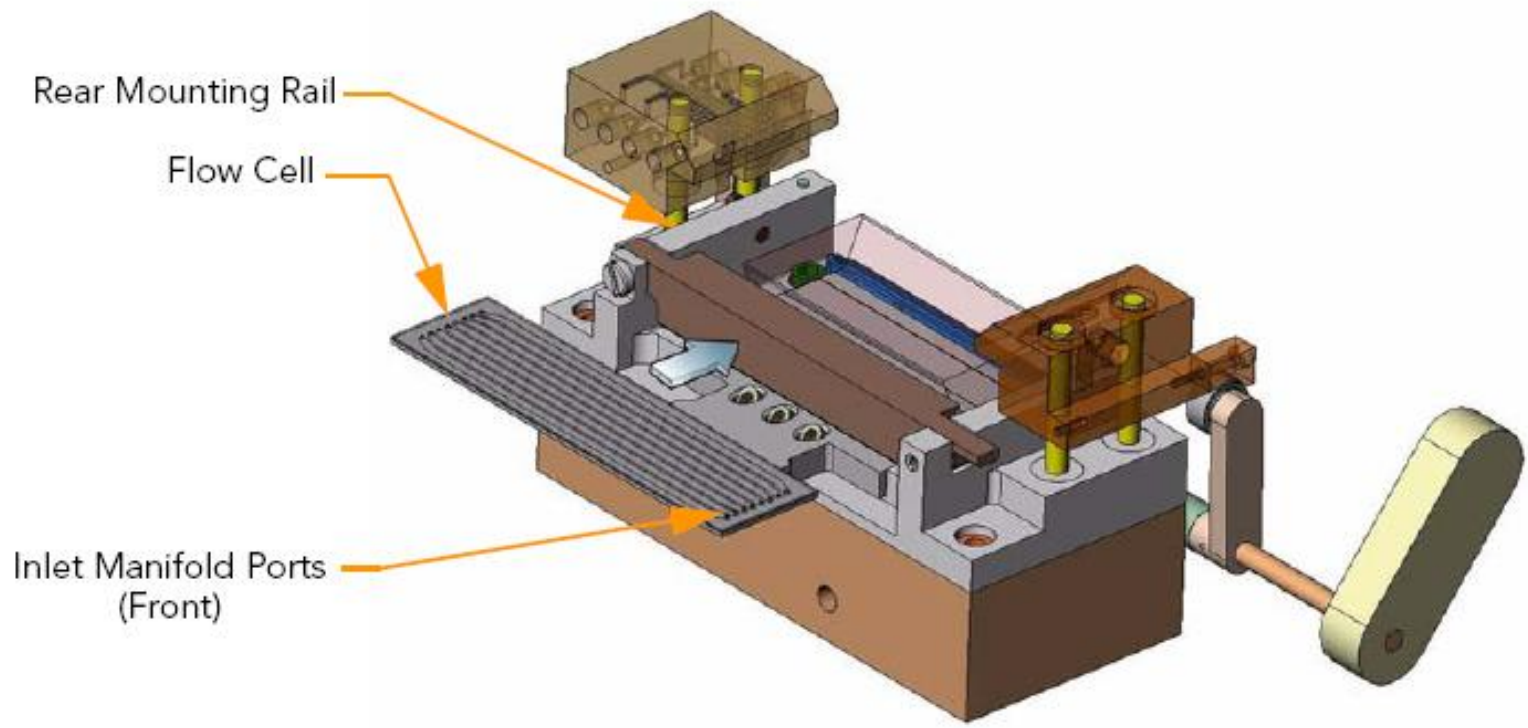


Figure 55 Loading the Flow Cell

2. Slide the flow cell to the back until you encounter the rear stop (Figure 56).

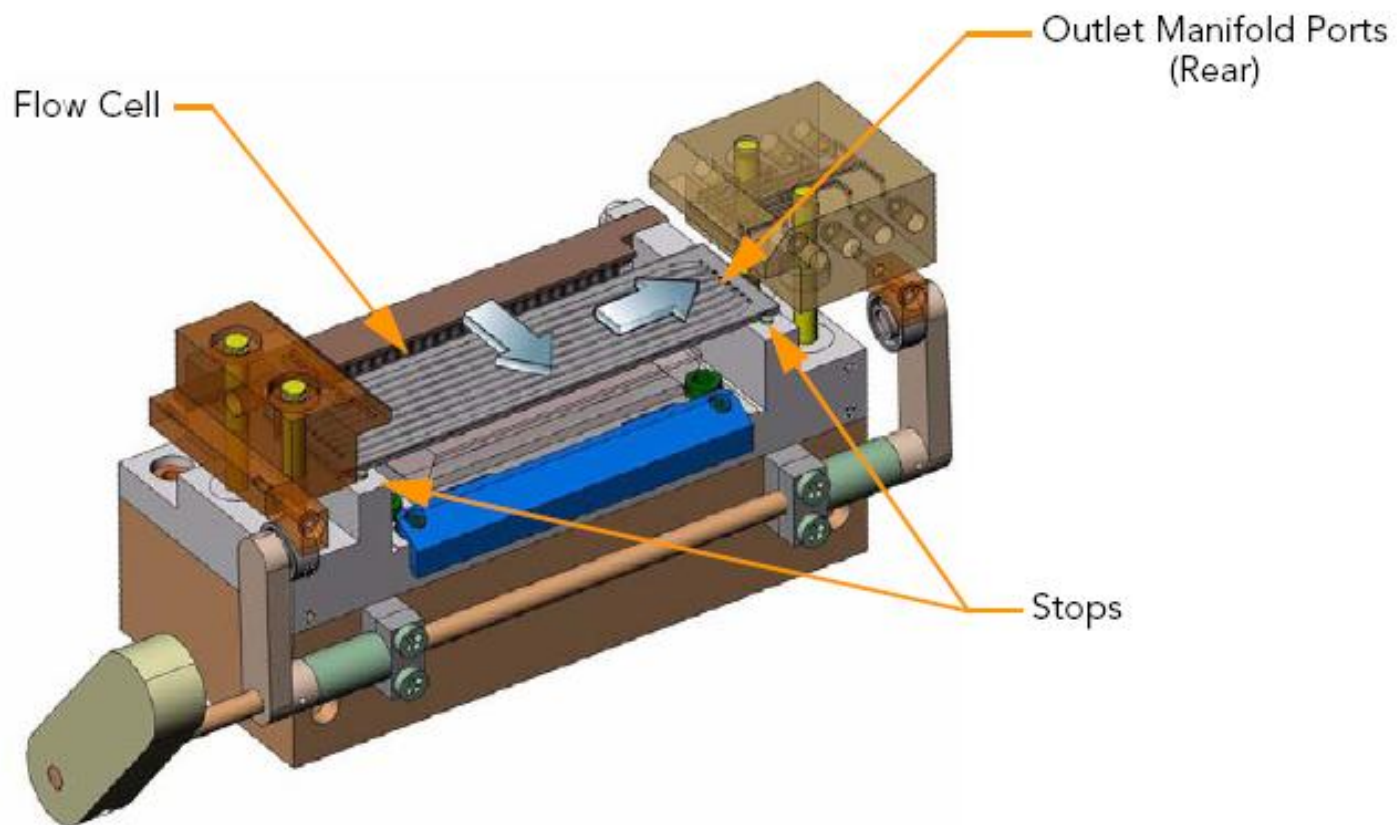


Figure 56 Positioning the Flow Cell

6. Press downward on both manifolds to ensure they have seated properly (Figure 58).

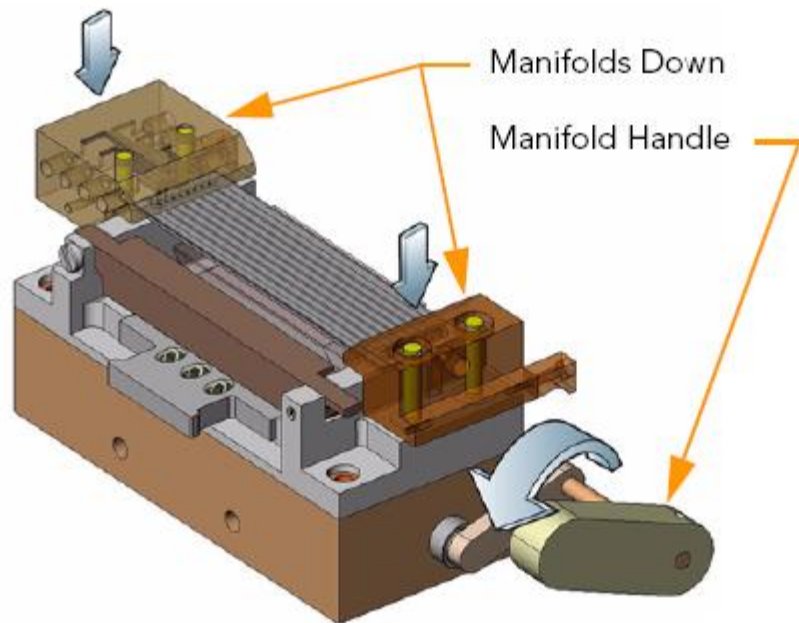


Figure 57 Lowering the Manifold

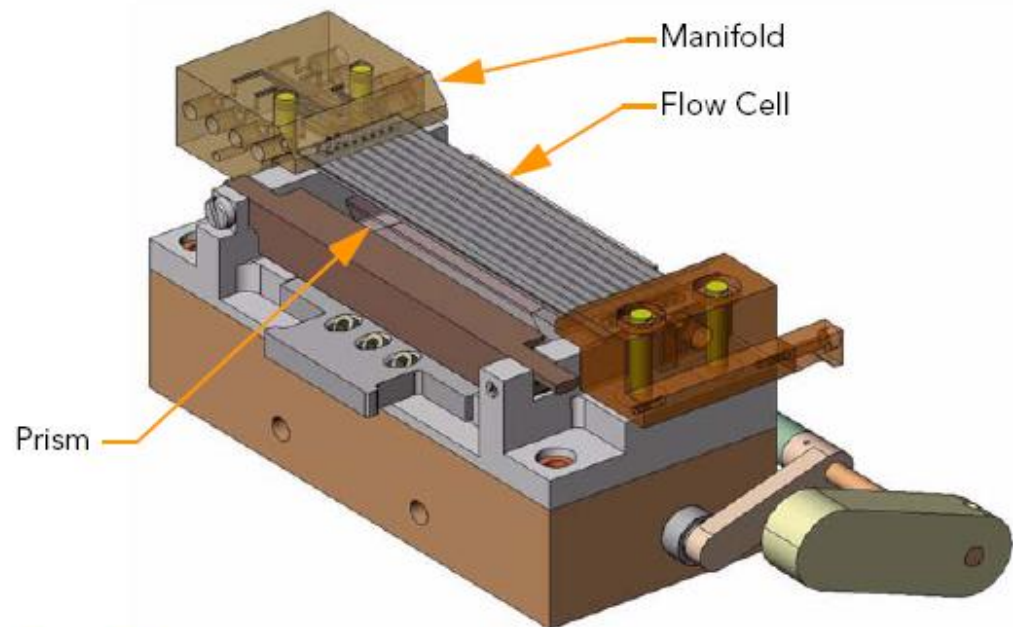
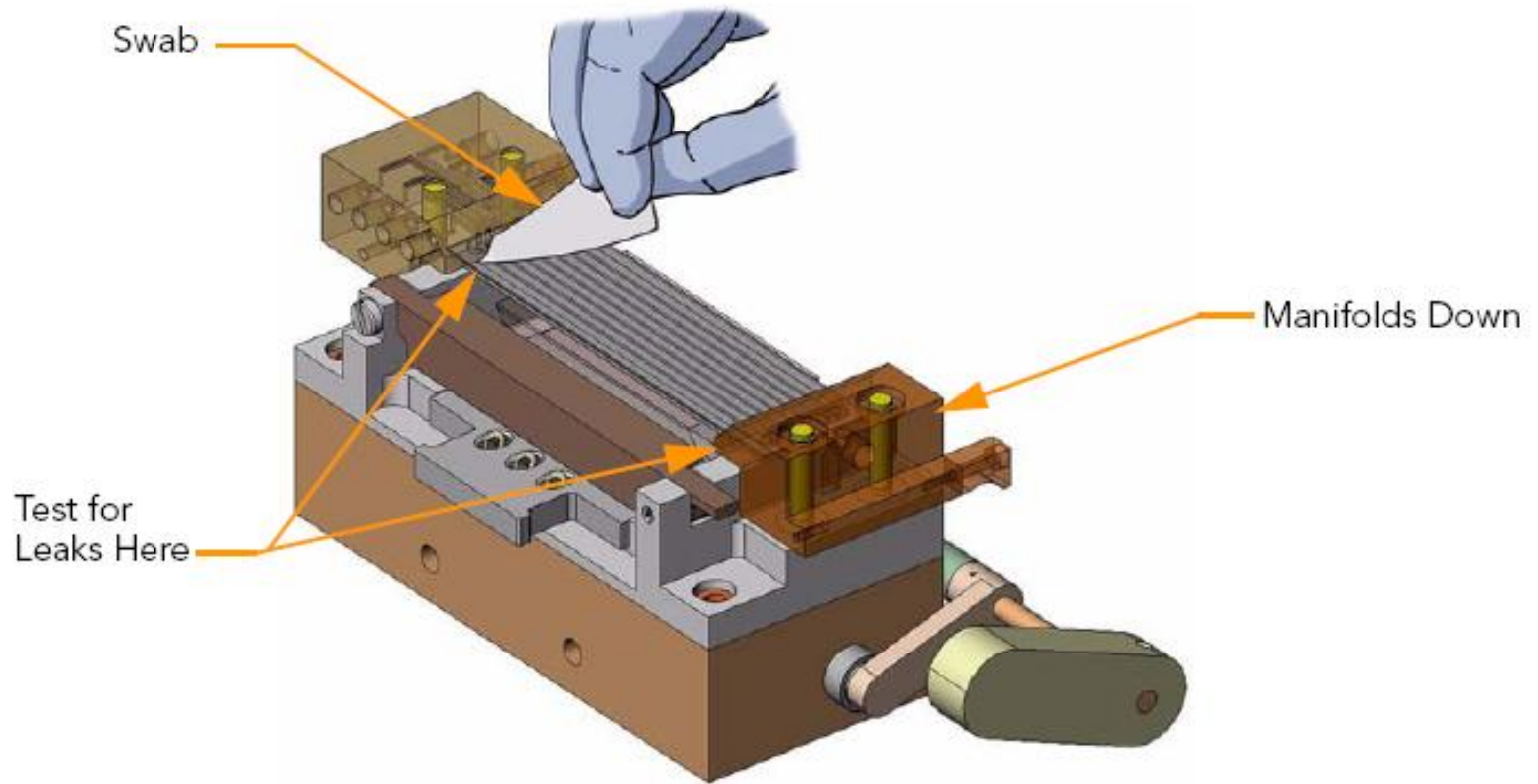


Figure 58 Flow Cell and Prism Loaded



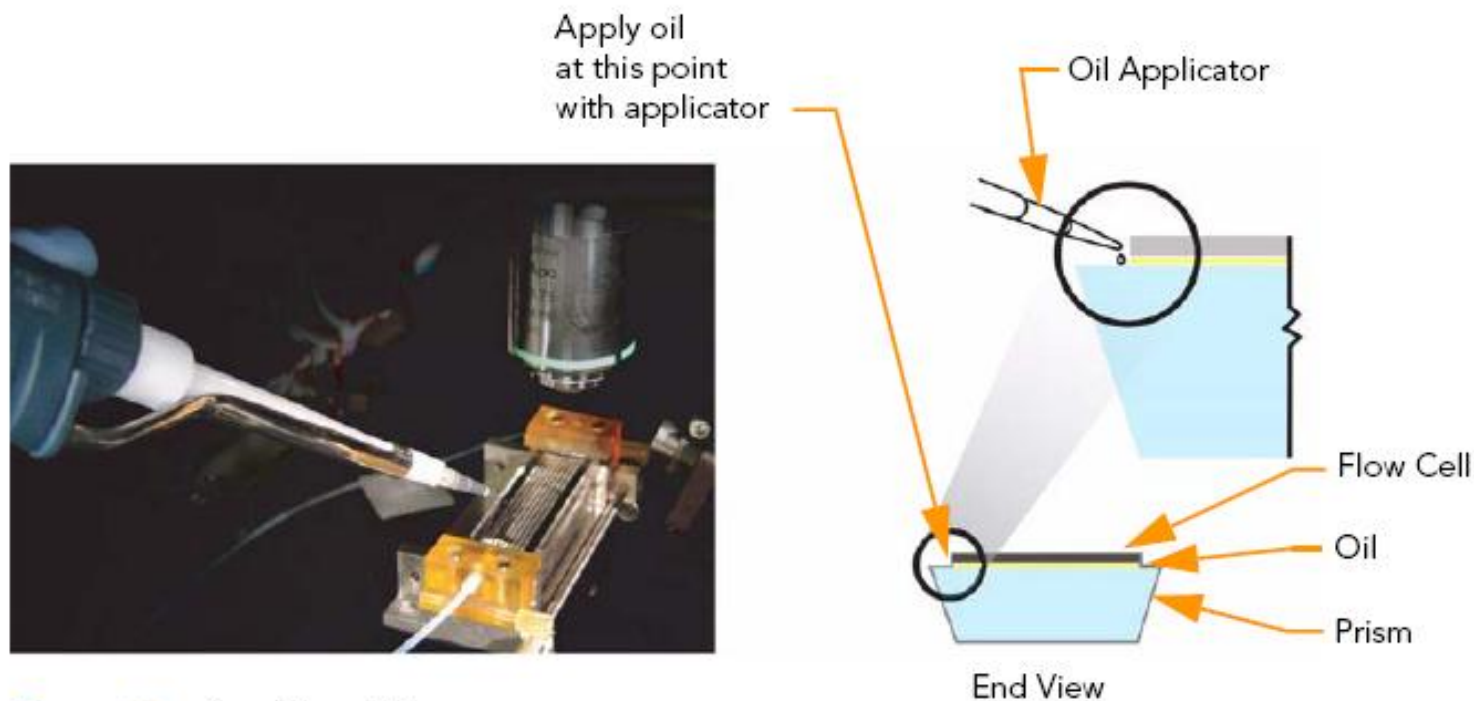


Figure 61 Applying Oil

4. Before the oil reaches the right side of the flow cell, slide the pipette tip in small steps towards the rear, steadily dispensing more oil along the way. Let all of the dispensed oil wick between the flow cell and the prism as far as it will go before dispensing more. The pipette tip must not move faster than the leading edge of the oil wicking under the flow cell.

Observe the movement of the oil. Ensure there are no bubbles forming between the flow cell and the prism.

5. Stop moving the pipette when the tip is about 1 cm from the rear manifold.

You have dispensed enough oil when it has wicked to the right edge of the flow cell.